



# GSL

TECHNOLOGY, INC.



# JERICHO

## MANUAL

# WARNING

Failure to follow installation and maintenance instructions detailed in this manual can result in injury to the user and/or damage to the weapon

## Jericho

The Jericho is a highly efficient suppressor that was designed for the UZI and the Mini-UZI submachine gun. This suppressor mounts onto these weapons with no modification to the weapon what so ever. The Jericho has a ratcheting rear mount that duplicates the UZI barrel nut to prevent it from un-screwing during firing the weapon. This suppressor uses the time tested jetted M-baffles that have proven to maintain it's sound reduction qualities to well over 150,000 rounds. We have in fact, had suppressors come back of repacking after 250,000 rounds fired thru them.

### **Construction of the Jericho Suppressor**

The Jericho suppressor is manufactured from high strength, aircraft grade aluminum with the exception of the rear mount. The suppressor has a hard coat, black anodized exterior to provide a light weight, durable suppressor and with the proper maintenance, can exceed 150,000 rounds thru it. The Jericho is a sealed unit that has it's baffles optimized for peak performance and there is no need to disassemble the unit.

# WARNING

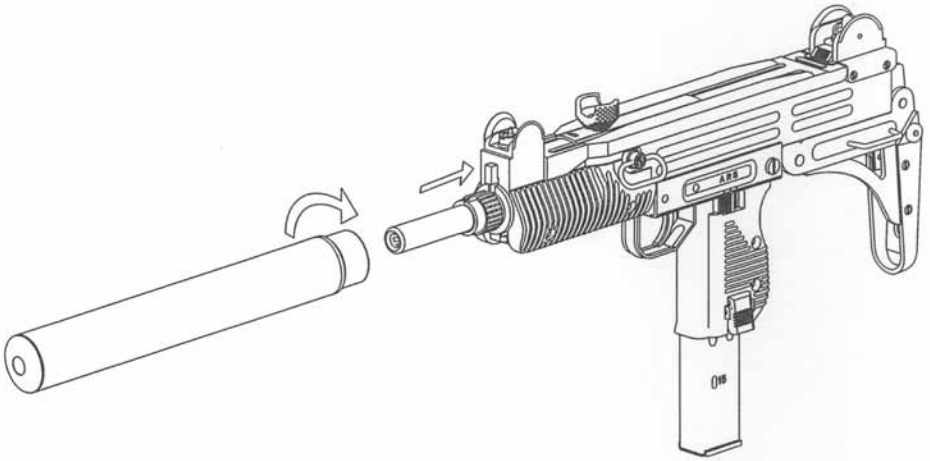
Before installation of the Jericho, always remove the magazine from the firearm, open the action and visually examine the weapon to be certain the chamber is empty and the weapon is unloaded.

**Failure to do so can result in serious injury.**

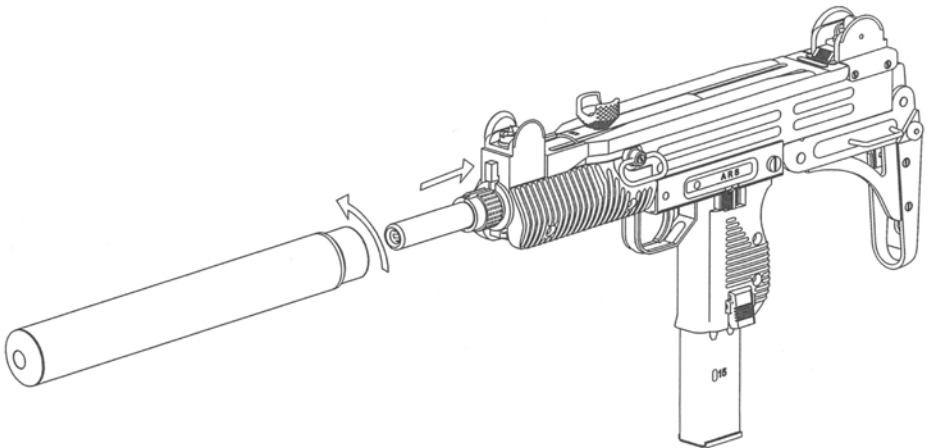
## **Mounting the Jericho on the UZI and Mini-UZI Machine Gun**

1. Make sure that the weapon is unloaded, the magazine has been removed, the safety is on and the bolt is in the open position. Visually inspect the breach to verify that the weapon is unloaded.
2. Depress the barrel nut retention mechanism and un-screw the barrel retaining nut.
3. Make sure that the barrel notch and the notch on the receiver are seated properly.
4. Slide the Jericho suppressor over the barrel and screw it into place making sure that the ratchet mechanism is engaged into the teeth.
5. To remove the suppressor, do the reverse of the installation instructions.

## Installing the Jericho



## Removing the Jericho



## **Ammunition**

We recommend the use of 147 gr 9mm subsonic ammunition. This will give you the best sound performance. Supersonic ammunition (1,100 fps or more) will brake the sound barrier and the crack of the bullet will be extremely loud. Typically this will be at a 155 to 158 db sound level.

## **Maintenance and cleaning**

As we said before, there should not be any reason for the cleaning of the Jericho suppressor. But if you feel the need to clean the unit, make sure that the solvent will not effect the aluminum material that the suppressor is manufactured from. You can run a bore brush thru the center hole and blow the residue out with compressed air but other than that, nothing else is required.

## **Warranty Information**

Unconditional Lifetime Warranty. If for any reason you have an issue with a GSL Technology product, we will repair or replace it free of charge. The warranty does not apply if the product is altered in any way.

## **Damaged Suppressor**

This or any suppressor may not properly operate and create a significant risk of injury or death if damaged or obstructed. Any and all such damage should be reported to an Armor familiar with this suppressor and the weapon system or it should be returned with the RA to GSL Technology, INC.

For more information, contact GSL Technology, INC. at:  
[customerservice@gsltechnology.com](mailto:customerservice@gsltechnology.com)

## **Manufacturer's Disclaimer**

GSL Technology, INC. manufactures all suppressors to the highest quality and technical standards in the industry. However, improper usage by any end-user by this product may result in serious injury to the user or third parties. Therefore, it is the user's responsibility to understand this product and the weapon system used therewith. If you do not understand the instructions in this manual, please contact GSL Technology for further clarification at [gsltechnology.com](http://gsltechnology.com). GSL Technology, INC. shall have no liability for incidental or consequential damages and under no circumstances be liable for personal injury, death, property damage, environmental damage, or economic losses of any type caused by the misuse of this product or negligence on the part of the user. The warranty and disclaimer in this manual for the suppressor are subject to all laws which may limit these terms. To the extent allowed by law, the purchase of this product places an affirmative duty on any distributor, retailer, or user to transfer this manual with the suppressor.

For the latest, most complete version of this manual, please visit:  
<https://www.gsltechnology.com/>



 **GSL**  
TECHNOLOGY, INC.

Jackson, Michigan  
(517) 780-9090

